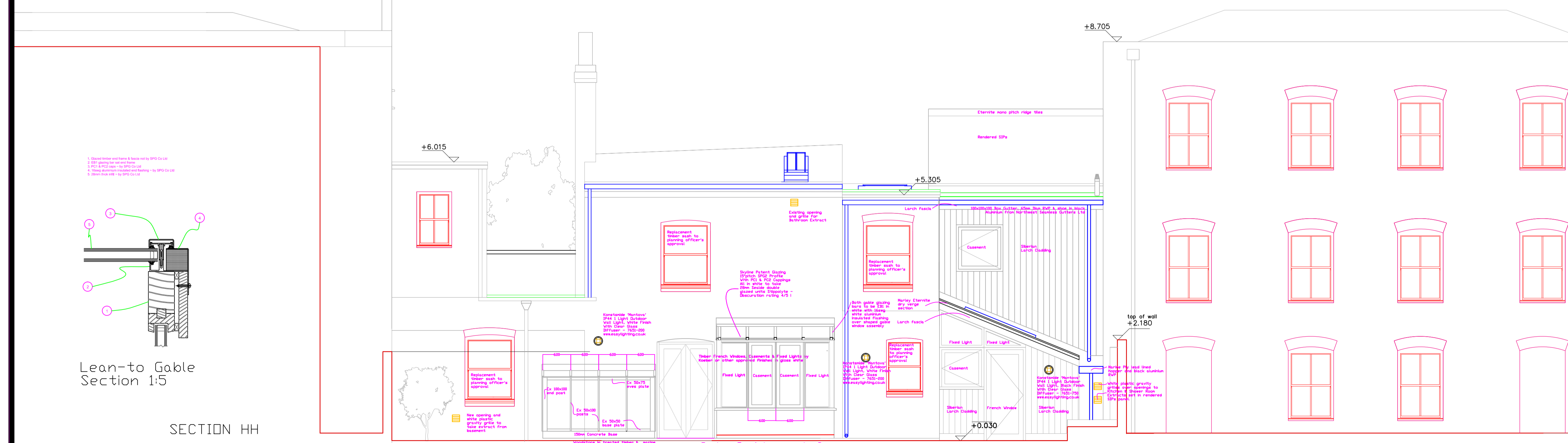
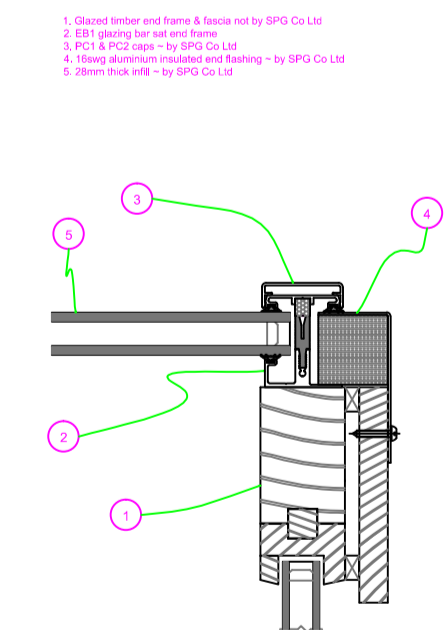


SECTION GG



SECTION HH



Lean-to Gable Section 1:5

General Notes

No.	Revision/Issue	Date
h	Steel and screed alt +Plaster	180203
g	Exterior lighting altered	171230
f	Add external light fittings Unit Conservatory Add lean-to + wood store	170503
e	Add Conservatory Gable Detail	161016
d	Foundation note & Fire screens	160920
c	Phase 1 works taken out+revs	160918
b	Tender Issue	150401
a	additional notes added	150125

Firm Name and Address
 Francis GRAVES
 graves.arch@btinternet.com
 07956 697167

Project Name and Address
 The Coach House
 Peacock Lane
 Old Portsmouth
 PO1 2PA

Project	Sheet
Elevation/Sec	
Date	14.02.2018
Scale	2.4h
	1:50